





Weight and dimensions

Overall height (A)	2.59m
Overall width (B)	2.35m
Inside width of cab (C)	0.94m
Front track (D)	1.90m
Wheelbase (E)	2.75m
Overall length to front tyres (F)	4.75m
Overall length to front carriage (G)	6.27m
Ground clearance (H)	0.40m
Front wheel centre to carriage (J)	2.15m
Rear wheel centre to rear face (K)	1.37m
Offside turn radius (over tyres)	3.75m
Carriage rollback angle	36.5 degrees
Carriage dump angle	12.5 degrees
Weight	11380kg
Tyres	400/80-24

Engine

Engine model	JCB 430
	55kW
	440Nm @ 1300rpm
Displacement	3 litre
Number of cylinders	4

Transmission

Torque	Powershift (Torque Converter)
	4 - speed
	4WD
Max. Speed	29kph

Hydraulics

Maximum system pressure	260 bar
Flow rate	110 ltr/min
Steer modes	3

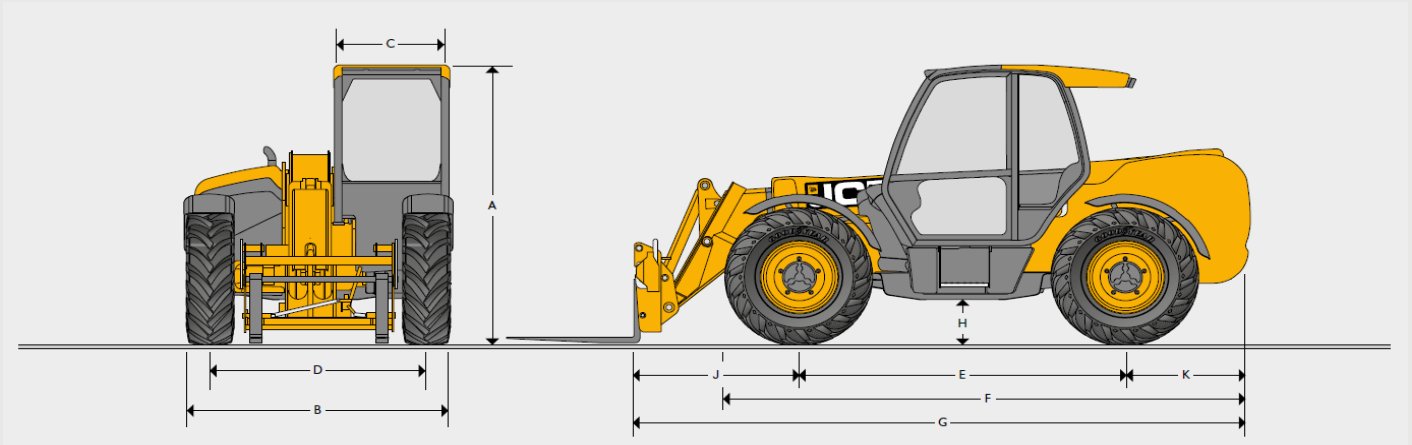
Cycle Times (seconds)

Boom raise	13.8
Boom lower	10.2
Extend	22.4
Retract	17.9
Bucket Dump	2.9
Bucket Crowd	2.6

Noise and Vibrations (55kW)

Operator noise station	77LpA
Noise emission from machine	104LpA
Hand-arm vibration	<2.5m

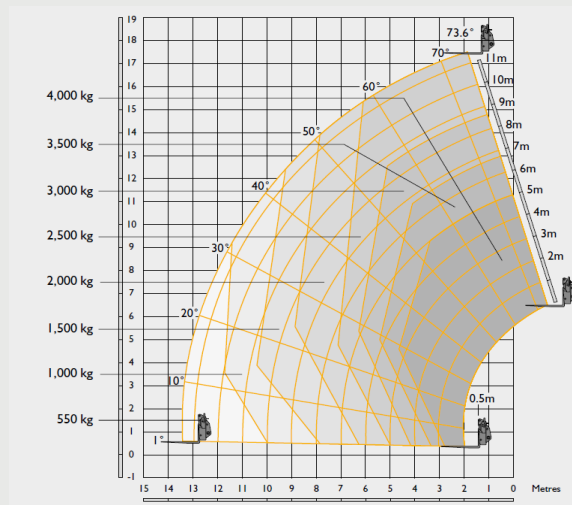
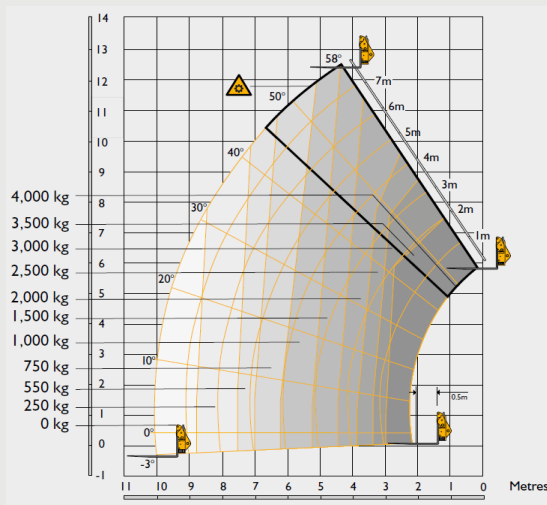
* Noise metrics subject to an uncertainty of +/- 1dB



Hefprestaties

540-180 Stabilisers retracted sway

540-180 Stabilisers extended sway



Maximum lift capacity	4.000kg	4.000kg
Lift capacity to full height	500kg	2500kg
Lift capacity at full reach	0kg	550kg
Lift height	10.69m	17.51m
Reach at maximum lift height	6.92m	1.88m
Maximum forward reach	10.47m	13.34m
Reach with 1 tonne load	6.25m	11.72m
Placing height	10m	17m