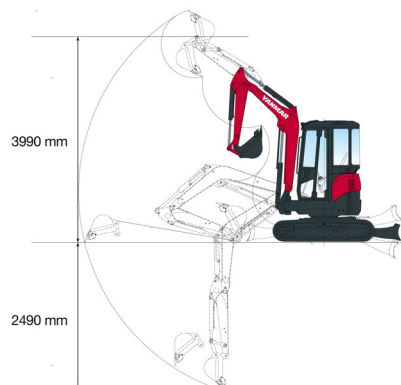




MINI EXCAVATOR CRAWLER

## YANMAR VIO27L

Construction and earthmoving machines



### » YANMAR VIO27L

Daily price	€ 160
2 to 4 days	€ 130 /day
Weekly price	€ 580
From 4 weeks	€ 435 /week

Tonnage	2.7 ton
Length	4,12 m
Width	1,50 m
Height	2,53 m
Weight	2770 kg

### ACCESSORIES

- Hammer NPK PH1 (2,5 - 3,5 ton)
- Ground driller Ø23, 30 or 38 cm
- Synthetic ramps

If you have any questions about this machine or any accessory, please call us at +32(0)56 222 111 or send us an email. There will be a cleaning and environmental charge if the machine is returned dirty or full of mud.

- \* All prices are VAT excluded.
- \* A deposit may be requested.