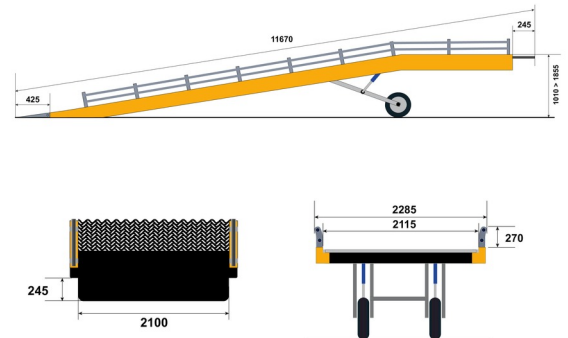


YARD RAMP

GS-HSE16T

Lift trucks and telescopic handlers



» GS-HSE16T

Loading capacity	16000 kg
Length	11,67 m
Width	2,29 m
Height	1,01 m

Consult our website www.dumarent.be for the technical data sheet
If you have any questions about this machine or any accessory, please call us at +32(0)56 222 111 or send us an email.

There will be a cleaning and environmental charge if the machine is returned dirty or full of mud.

- * All prices are VAT excluded.
- * A deposit may be requested.