

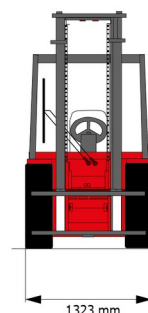
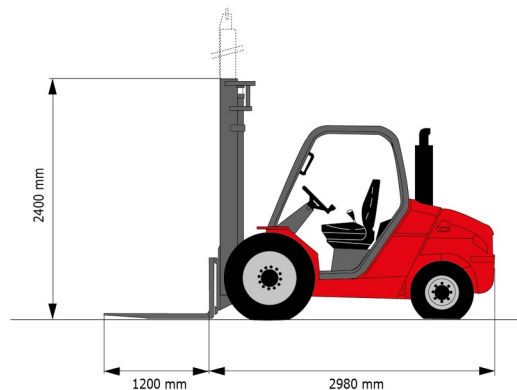


SEMI-INDUSTRIAL FORKLIFT

# MANITOU MSI 30 T



Lift trucks and telescopic handlers



» MANITOU MSI 30 T

Lifting capacity	3000 kg
Reach height	4700 mm
Length	2,98 m
Width	1,32 m
Height	2,40 m
Weight	4530 kg

ACCESSORIES

- Operator - CAT 1
- Long forks
- Fork extensions
- Licence plate



Diesel engine

Different mast types available.

Consult our website [www.dumarent.be](http://www.dumarent.be) for the technical data sheet  
If you have any questions about this machine or any accessory, please call us at +32(0)56 222 111 or send us an email.

There will be a cleaning and environmental charge if the machine is returned dirty or full of mud.

- \* All prices are VAT excluded.
- \* A deposit may be requested.

**duma rent**  
on different places !

Duma Rent bvba - Torkonjestraat 23, BE-8510 Marke  
T +32(0)56 222 111 • Fax +32(0)56 716 141  
info@dumarent.be • www.dumarent.be

Region West-Flanders  
**056 222 111**

Region East-Flanders  
**09 228 28 22**

Region Antwerp  
**03 887 87 81**

Region Brussels  
**02 705 05 09**

Region Charleroi  
**071 33 36 38**