

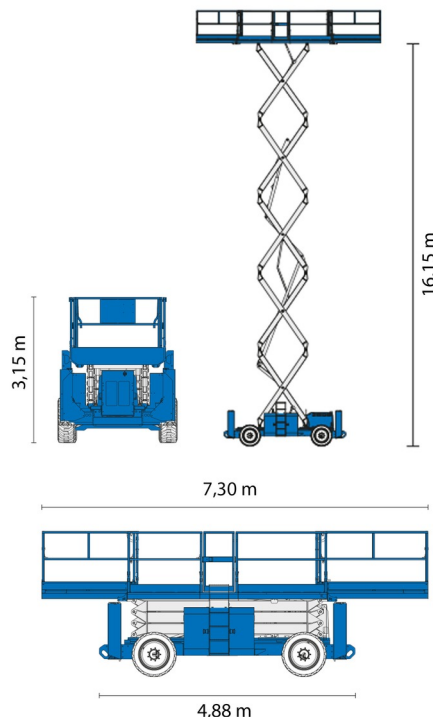


SCISSOR LIFT DIESEL

GENIE GS3390RT



Hydraulic platforms and scissor lifts








» GENIE GS3390RT

Working height	12,10 m
Drive	4x4
Loading capacity	1134 kg
Length	4,88 m
Width	2,29 m
Height	2,71 m
Weight	6513 kg

ACCESSORIES

- Operator - CAT 1
- Fuel tank 1100 l with pump
- Licence plate



-  4 Automatic Stabilisers
-  Generator + 4 sockets
-  Platform load indoors: 7 persons
-  Platform load outdoors: 7 persons
-  Diesel engine

Consult our website www.dumarent.be for the technical data sheet

If you have any questions about this machine or any accessory, please call us at +32(0)56 222 111 or send us an email.

There will be a cleaning and environmental charge if the machine is returned dirty or full of mud.

- * All prices are VAT excluded.
- * A deposit may be requested.