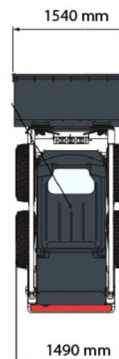




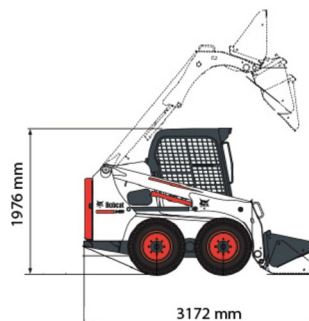
MINI EXCAVATOR CRAWLER

Construction and earthmoving machines

YANMAR VIO80-1A



» YANMAR VIO80-1A



Tonnage	8.5 ton
Length	6,96 m
Width	2,26 m
Height	2,71 m
Weight	8465 kg

ACCESSORIES

- Hammer NPK PH3 (5,5 - 8 ton)
- Clamshell bucket Pladdet - 8 tons
- Ground driller Ø23, 30 or 38 cm
- Tilttable bucket 5 - 8 tons
- Fuel tank 1100 l with pump
- Sorting grab 5 - 5,5 ton
- Sorting grab 8 tons
- Synthetic ramps



Diesel engine

Delivered with buckets: width 40 cm, 60 cm (with teeth) and 160 cm.

If you have any questions about this machine or any accessory, please call us at +32(0)56 222 111 or send us an email.

There will be a cleaning and environmental charge if the machine is returned dirty or full of mud.

- * All prices are VAT excluded.
- * A deposit may be requested.



Duma Rent bvba - Torkonjestraat 23, BE-8510 Marke
T +32(0)56 222 111 • Fax +32(0)56 716 141
info@dumarent.be • www.dumarent.be

Region West-Flanders
056 222 111

Region East-Flanders
09 228 28 22

Region Antwerp
03 887 87 81

Region Brussels
02 705 05 09

Region Charleroi
071 33 36 38