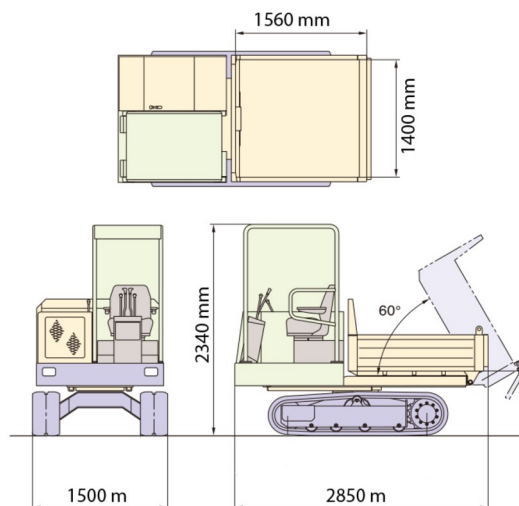




DUMPER ON CRAWLERS

MOROOKA MST-200VDR

Construction and earthmoving machines



MOROOKA MST-200VDR

Daily price	€ 130
2 to 4 days	€ 105 /day
Weekly price	€ 520
From 4 weeks	€ 395 /week

Loading capacity	2000 kg
Capacity	1000 l
Length	2,85 m
Width	1,50 m
Height	2,34 m
Weight	2000 kg

ACCESSORIES

- Fuel tank 1100 l with pump



Diesel engine

With rotating upper structure 360°.

If you have any questions about this machine or any accessory, please call us at +32(0)56 222 111 or send us an email.

There will be a cleaning and environmental charge if the machine is returned dirty or full of mud.

* All prices are VAT excluded.

* A deposit may be requested.