

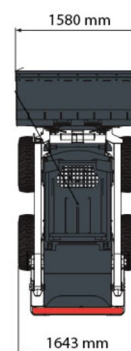
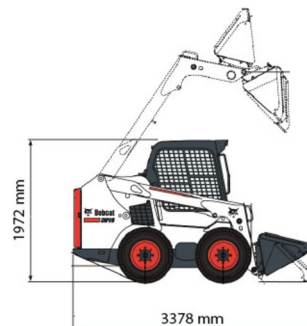


SKID STEER LOADER

BOBCAT S510



Construction and earthmoving machines



» BOBCAT S510

Daily price	€ 160
2 to 4 days	€ 130 /day
Weekly price	€ 625
From 4 weeks	€ 500 /week

Tonnage	2.686 ton
Length	3,38 m
Width	1,58 m
Height	1,97 m
Weight	2686 kg

ACCESSORIES

- Ground driller Ø23, 30 or 38 cm
- Pallet fork
- Sweeper 154 - 168 cm
- Fuel tank 1100 l with pump
- Synthetic ramps
- Licence plate



Diesel engine

With catalic exhaust purifier.

If you have any questions about this machine or any accessory, please call us at +32(0)56 222 111 or send us an email.

There will be a cleaning and environmental charge if the machine is returned dirty or full of mud.

- * All prices are VAT excluded.
- * A deposit may be requested.