

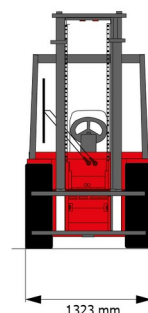
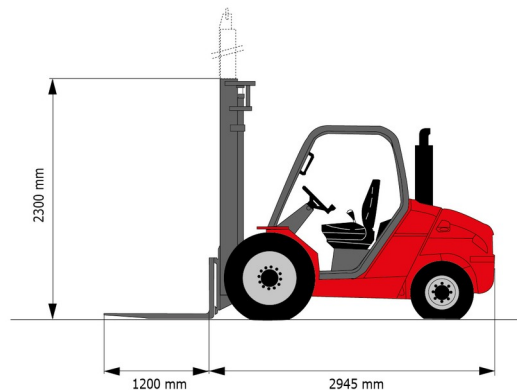


SEMI-INDUSTRIAL FORKLIFT

MANITOU MSI 25 T



Lift trucks and telescopic handlers



» MANITOU MSI 25 T

Daily price	€ 145
2 to 4 days	€ 115 /day
Weekly price	€ 445
From 4 weeks	€ 335 /week

Lifting capacity	2500 kg
Reach height	4700 mm
Length	2,95 m
Width	1,32 m
Height	2,30 m
Weight	4150 kg

ACCESSORIES

- Operator - CAT 1
- Fuel tank 1100 l with pump
- Long forks
- Fork extensions
- Licence plate



Diesel engine

Different mast types available.

Consult our website www.dumarent.be for the technical data sheet
If you have any questions about this machine or any accessory, please call us at +32(0)56 222 111 or send us an email.

There will be a cleaning and environmental charge if the machine is returned dirty or full of mud.

- * All prices are VAT excluded.
- * A deposit may be requested.

21 Nov 2024 17:12:18 / 570 / General conditions on our website duma-rent.com

duma rent
on different places !

Duma Rent bvba - Torkonjestraat 23, BE-8510 Marke
T +32(0)56 222 111 • Fax +32(0)56 716 141
info@dumarent.be • www.dumarent.be

Region West-Flanders
056 222 111

Region East-Flanders
09 228 28 22

Region Antwerp
03 887 87 81

Region Brussels
02 705 05 09

Region Charleroi
071 33 36 38