

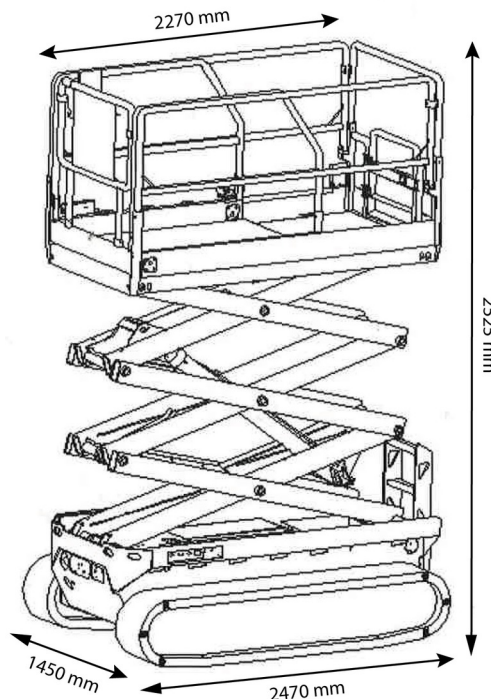


SCISSOR LIFT ELECTRIC

CF GTJZ1012LD



Hydraulic platforms and scissor lifts



» CF GTJZ1012LD

Working height	12,00 m
Loading capacity	320 kg
Length	2,47 m
Width	1,45 m
Height	2,53 m
Weight	3030 kg

ACCESSORIES

- Operator - CAT 1



- 1 socket in working platform
- Platform load outdoors: 1 person
- Platform load indoors: 2 persons
- Battery

Consult our website www.dumarent.be for the technical data sheet

If you have any questions about this machine or any accessory, please call us at +32(0)56 222 111 or send us an email.

There will be a cleaning and environmental charge if the machine is returned dirty or full of mud.

* All prices are VAT excluded.
* A deposit may be requested.

duma rent
on different places !

Duma Rent bvba - Torkonjestraat 23, BE-8510 Marke
T +32(0)56 222 111 • Fax +32(0)56 716 141
info@dumarent.be • www.dumarent.be

Region West-Flanders
056 222 111

Region East-Flanders
09 228 28 22

Region Antwerp
03 887 87 81

Region Brussels
02 705 05 09

Region Charleroi
071 33 36 38