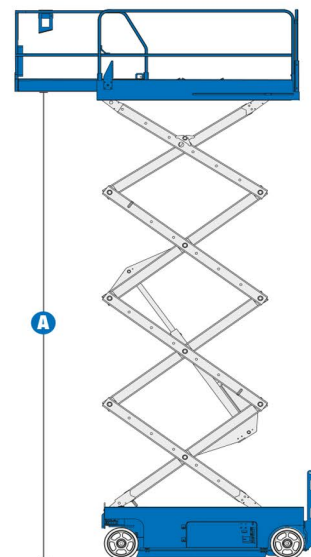
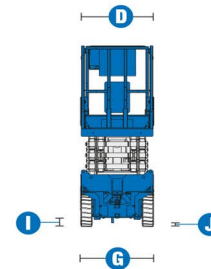
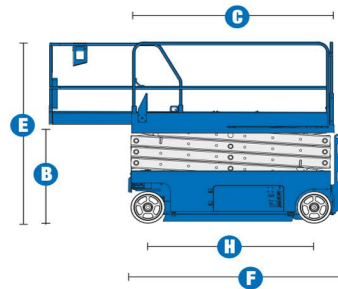


SELF-PROPELLED SCISSOR LIFTS GS™-2032



Specifications

| MODELS | | GS™-2032 | |
|---|--------------------|--------------------|--|
| MEASUREMENTS | Metric | US | |
| Working height maximum* | 8.10 m | 26 ft | |
| A Platform height maximum | 6.10 m | 20 ft | |
| B Platform height stowed | 1.03 m | 3 ft 4.5 in | |
| C Platform length - outside | | 7 ft 5 in | |
| | extended | 10 ft 5 in | |
| Slide-out platform extension deck | 91 cm | 3 ft | |
| D Platform width - outside | 81 cm | 2 ft 8 in | |
| Guardrail height: Rigid Rail | | 3 ft 3 in | |
| | Fold Down Rail | 3 ft 7 in | |
| Toeboard height | 15 cm | 6 in | |
| E Height - stowed | fixed rails | 2.13 m 7 ft | |
| | folding guardrails | 2.13 m 7 ft | |
| | rails folded | 1.75 m 5 ft 9 in | |
| F Length - stowed | | 2.44 m 8 ft | |
| | Length - extended | 3.33 m 10 ft 11 in | |
| G Width | 81 cm | 2 ft 8 in | |
| H Wheelbase | 1.85 m | 6 ft 1 in | |
| I Ground clearance - centre | 9 cm | 3.5 in | |
| J - with pothole guards deployed | 2 cm | .75 in | |



PRODUCTIVITY

| | | |
|---|------------------|----------------|
| Max platform occupancy (indoor/outdoor) | 2/1 | 2/1 |
| Lift capacity | 363 kg | 800 lbs |
| Drive height | full height | |
| Drive speed - stowed | 3.5 km/h | 2.2 mph |
| Drive speed - raised | 0.8 km/h | 0.5 mph |
| Gradeability - stowed** | 30% | |
| Max outrigger levelling: front to back | - | - |
| | side to side | - |
| Turning radius - inside | zero | zero |
| Turning radius - outside | 2.13 m | 7 ft |
| Raise / lower speed | 30 / 34 sec | 30 / 34 sec |
| Controls | proportional | |
| Drive | dual front wheel | |
| Multiple disc brakes | dual rear wheel | |
| Tyres - solid non-marking | 38 x 13 x 28 cm | 15 x 5 x 11 in |

POWER

| | | |
|---------------------------|------------------------------------|----------|
| Power source | 24 V DC (four 6V 225 Ah batteries) | |
| Hydraulic system capacity | 14.2 L | 3.75 gal |

WEIGHT***

| | | |
|--|----------|-----------|
| | 1,825 kg | 4,024 lbs |
|--|----------|-----------|

STANDARDS COMPLIANCE

CE EN280

* The metric equivalent of working height adds 2 m to platform height. U.S. adds 6 ft to platform height.

** Gradeability applies to driving on slopes. See operator's manual for details regarding slope ratings.

*** Weight will vary depending on options and/or country standards.